



USG BORAL UNISPAN™

Lightweight, Quicker Installation



USGBoral.com

Plasterboard

Ceilings

Compound

Metal Framing

Substrates

USG BORAL UNISPAN™

USG Boral Unispan™ is a lightweight 9.5 mm thick, resilient plasterboard that features superior anti-sag performance. It is faster and easier to install since it is approximately 10% lighter than alternative products of similar thickness.



ADVANTAGES



Aesthetics

Smooth finish, with potential for unlimited designs and numerous finishing options to suit customer's imagination.



Lightweight

It is up to 10% lighter compared to alternative products of similar thickness.



Anti-Sagging

Superior anti-sag performance that helps maintain a presentable ceiling appearance at all times.



Consistent Quality

Produced in a state-of-the-art ISO 9001 certified plant.

PRODUCT DATA

Product Name	USG Boral Unispan™		
Size* (mm)	1220 mm X 2440 mm (4' X 8')	Thickness (mm)	9.5
Product Standard	BS EN 520:2004	Weight (kg/m ²)	5.3
Product Testing	BS 476 Part 6 & 7	Edge Detail	Tapered

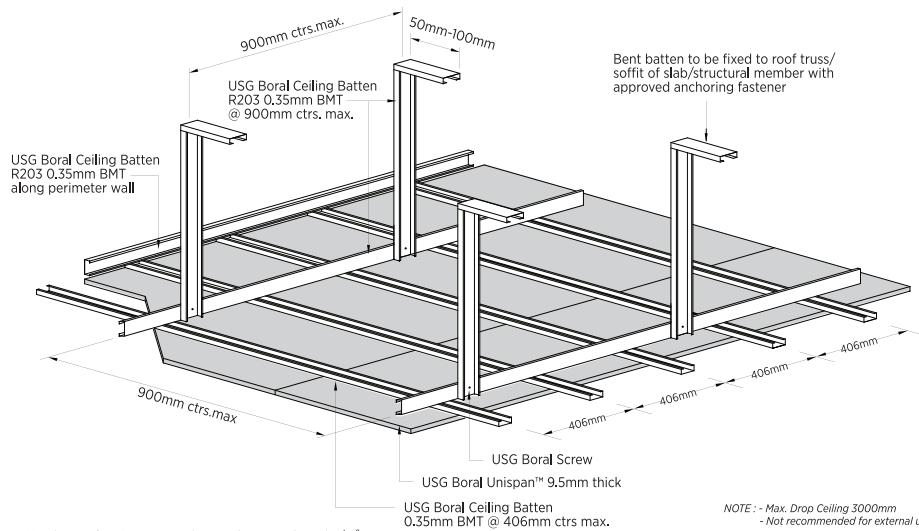
*The above are standard sizes, please refer to the USG Boral for other board sizes.

APPLICATIONS

Ceiling boards for internal dry area, ideal for both commercial and residential markets.

SYSTEMS

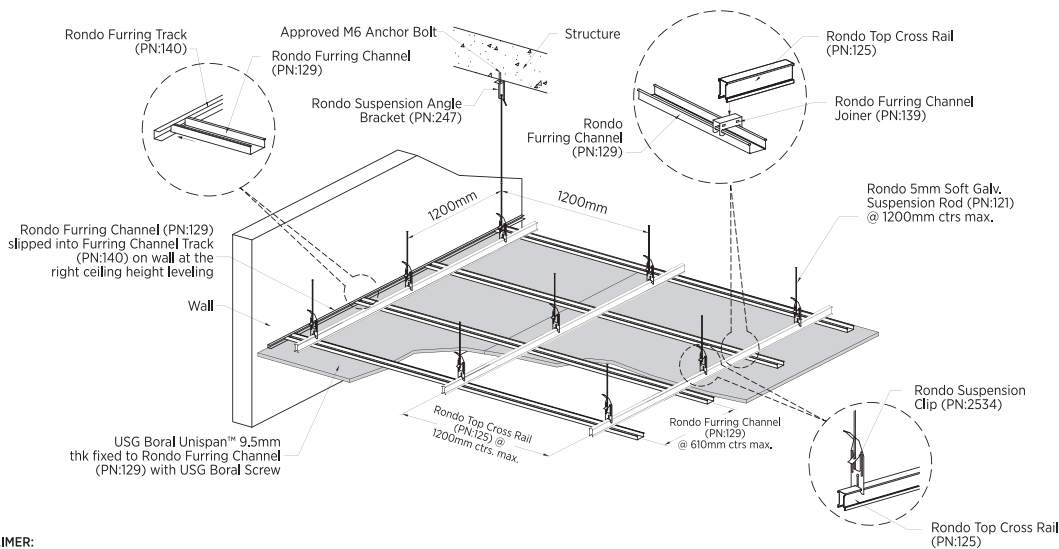
USG Boral Unispan™ 9.5mm with USG Boral Ceiling Batten Framing System



DISCLAIMER:
Maximum load on the ceiling batten framing system shall not be more than 3kg/m².

NOTE: - Max. Drop Ceiling 3000mm
- Not recommended for external use

USG Boral Unispan™ 9.5mm with Rondo KEY-LOCK® System



DISCLAIMER:
The indicated spacing of Rondo KEY-LOCK® system above is designed to take up maximum ceiling load of 13kg/m² only.

PRODUCT BACKING (OPTIONAL)

Upon request USG Boral Unispan™ plasterboard can be provided with a special backing on the plasterboard reverse side:



Aluminium foil backing is designed to use in areas of extremely high temperature.



PVC Backing is designed for high humidity area to prevent sagging. It acts as barrier against moisture.

(Minimum order quantity required and lead time applies)

Remarks:

1. Design based on AS/NZS 2785
2. Ultimate limit state: 1.4 G + 1.7 U
3. Serviceability limit state: G + U

G: System self-weight
U: Service load

USG BORAL SDN. BHD. (147816-U)
Formerly known as Boral Plasterboard (Malaysia) Sdn. Bhd.

Lot 606, Off Jalan SS13/1K, 47500 Subang Jaya, Selangor Darul Ehsan, Malaysia
T (603) 5629 2000 F (603) 5629 2008 W USGBoral.com

USG BORAL
INNOVATION INSPIRED BY YOU.™